

1

2

3

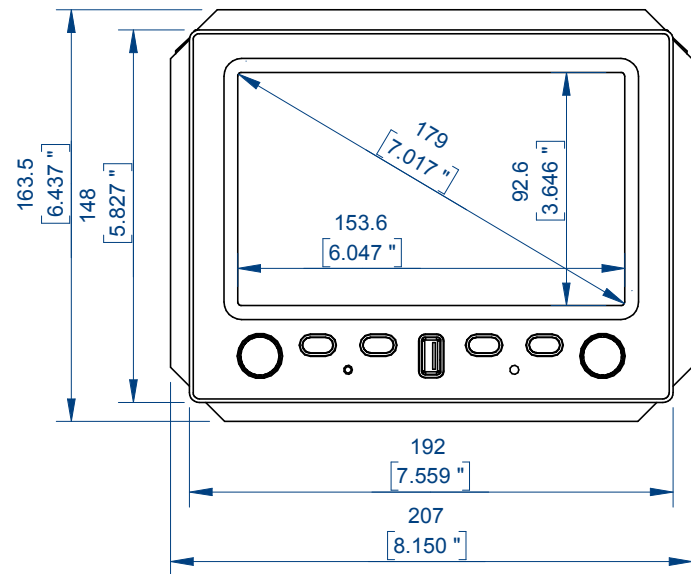
4

5

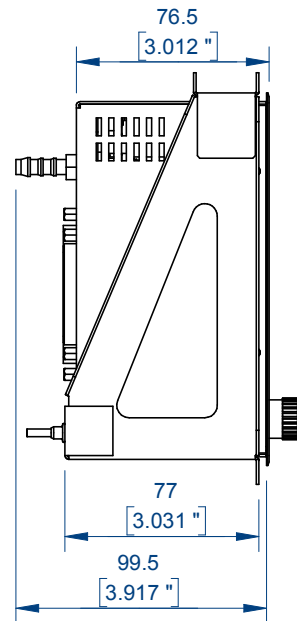
6

| | | | | |
|-------|---------------|------|-----------|---------|
| RevNo | Revision note | Date | Signature | Checked |
|-------|---------------|------|-----------|---------|

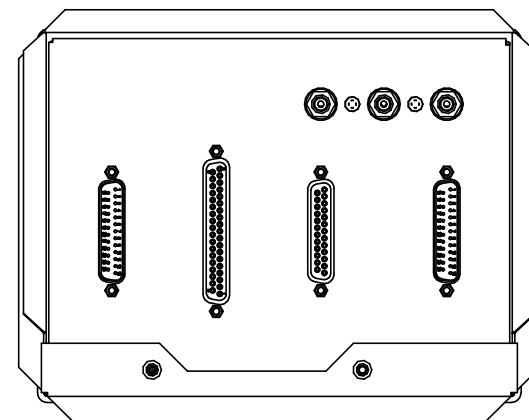
A



B

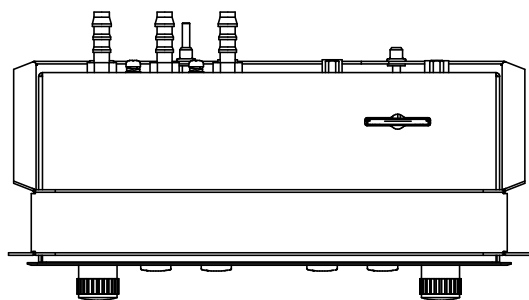


A

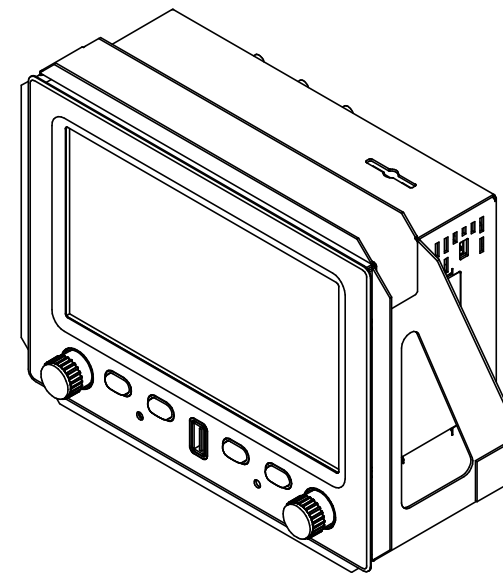


B

C



C



D

| | | | | | | |
|---------------------------|-------------------------|--|-----------------------|------------------------------|-----------------------|-------|
| Itemref | Quantity | Title/Name, designation, material, dimension etc | | | Article No./Reference | |
| Drawn by Tomas MARCZI | Checked by P.Jerabek | Approved by - date | File name | Date 24th of October 2008 | Scale 1:3 | |
| TL elektronik a.s. | | | EFIS - INTEGRA | | | |
| | | | TLX-6524-KA-004-PrB | | Edition A | Sheet |

D

1

2

3

6