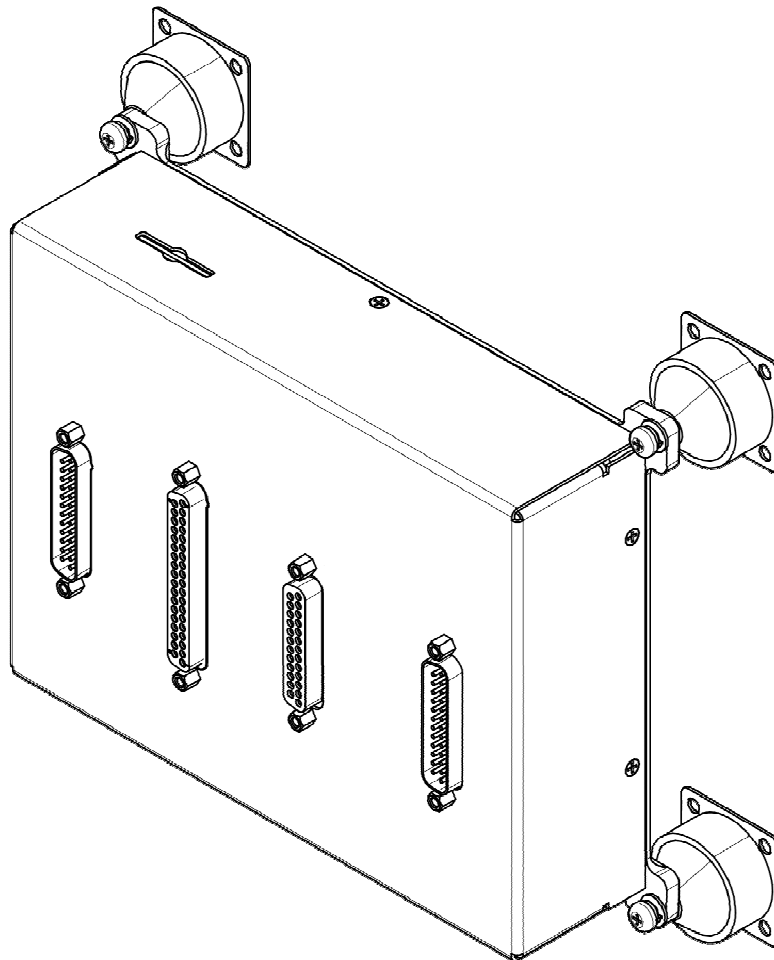


# INTEGRA



## Installation Manual

TL-6780



P/N: TLX-6780X-DI-001-PrA

Copyright 2014  
TL elektronik  
All Rights Reserved

Except as expressly provided below, no part of this manual may be downloaded, transmitted, copied, reproduced, disseminated or stored in any storage medium, for any purpose without the express prior written consent of the TL elektronik company. Address your questions about the technical information to TL elektronik. Other information about sale, distribution should be directed to our exclusive distributors (see World Distributor list on our website).

Producer's address:  
TL elektronik  
Airport, Building 125,  
503 41 Hradec Kralove, Czech Republic  
Fax: +420 49 548 23 94 E-mail: [info@tl-elektronic.com](mailto:info@tl-elektronic.com)  
Web Site Address: [www.tl-elektronic.com](http://www.tl-elektronic.com)

Please, send your e-mail address to [customer@tl-elektronic.com](mailto:customer@tl-elektronic.com) to receive the latest information about software upgrade.

Send your ideas to [innovation@tl-elektronic.com](mailto:innovation@tl-elektronic.com)  
We will evaluate your suggestion and provide an update.

Windows is registered trademark of Microsoft Corporation.  
All trademarks and registered trademarks are acknowledged.  
ScheckK® is registered trademark of TL elektronik.  
iFamily® is registered trademark of TL elektronik.  
sModern® is registered trademark of TL elektronik.

All information in this User's manual is subject to change without prior notice.

## Table of contents

<b>TABLE OF CONTENTS</b> .....	<b>II</b>
<b>1 REVISION TABLE</b> .....	<b>1-1</b>
<b>2 GENERAL DESCRIPTION</b> .....	<b>2-1</b>
2.1 GENERAL INFORMATION.....	2-1
2.2 LIMITED WARRANTY.....	2-1
<b>3 TECHNICAL SPECIFICATIONS</b> .....	<b>3-1</b>
<b>4 INSTALL RECOMMENDATION</b> .....	<b>4-1</b>
4.1 INTRODUCTION.....	4-1
4.2 INSTALLATION.....	4-1
4.3 RECOMMENDED WIRING PRACTICES.....	4-2
4.4 THERMOCOUPLE HARNESS PREPARATION.....	4-2
4.5 HARNESS MATING.....	4-2
4.6 POWER REQUIREMENTS.....	4-2
4.7 WIRING OVERVIEW.....	4-3
4.8 GROUNDING.....	4-3
<b>5 MECHANICAL DRAWING</b> .....	<b>5-1</b>
5.1 FRONT VIEW.....	5-1
5.2 REAR VIEW.....	5-2
5.3 SIDE VIEW.....	5-2
<b>6 ELECTRICAL DRAWING</b> .....	<b>6-1</b>
6.1 PIN FUNCTION LIST.....	6-1
6.1.1 Power, Signalization, Transceiver and iFamily® Interconnect.....	6-2
6.1.2 Auxiliary Ports and iFamily® Interconnect.....	6-4
6.1.3 Auxiliary Input/Output Interconnect.....	6-5
6.1.4 IAT and OAT Interconnect.....	6-6
6.1.5 Position Interconnect.....	6-7
6.1.6 Engine RPM Interconnect.....	6-8
6.1.7 RPM and Temperature Sensor Interconnect.....	6-10
6.1.8 Volts and Shunt Sensor Interconnect.....	6-11
6.1.9 Fuel Sensors Interconnect - (Passive).....	6-12
6.1.10 Fuel Sensors Interconnect - (Active).....	6-13
6.1.11 Oil, Water/CHT Temperature and Oil Pressure - (Passive).....	6-14
6.1.12 Oil, Water/CHT Temperature and Oil, Manifold Pressure - (Active).....	6-15
6.1.13 Oil and Fuel Pressure - (Current Loop).....	6-16
6.1.14 Thermocouples.....	6-18
6.2 RECOMMENDED CONNECTIONS.....	6-19
6.2.1 Possibilities of Power Supply connection.....	6-19
6.2.2 Possible connection to frame.....	6-21
6.2.3 Possibilities of Volts and Current Shunt Sensors Connection.....	6-22
6.2.4 Transceiver connection.....	6-24
<b>7 INTEGRA DATA SHARING</b> .....	<b>7-1</b>
7.1 INTEGRA MODULE CONNECTOR LOCATION.....	7-2
<b>8 SENSOR CONNECTION</b> .....	<b>8-1</b>

**9 OTHER EQUIPMENT CONNECTION..... 9-1**

9.1 CO GUARDIAN..... 9-1

9.2 OTHER COMPATIBLE EQUIPMENT ..... 9-1

**10 CONCLUSION ..... 10-1**

## 1 Revision Table

<b>Rev</b>	<b>Revision Date</b>	<b>Description</b>	<b>ECO#</b>	<b>Insertion date</b>	<b>By</b>
PrA	27.02.2014	Initial version			Hovorka

## 2 General description

### 2.1 General Information

This manual contains general information. The pilot and/or owner of the aircraft is responsible for verifying that this information is accurate and complete. The pilot and/or owner is further responsible, on a regular basis, for maintaining this information and insuring that it is up to date and accurate. If the pilot and/or owner of the aircraft is unable or unwilling to do this the, files must be deleted.






When the installation is finished, inspect the system for loose fittings, connections, clamps, probes and inspect for leaks, chafing, obstructions, heat damage and anything that may cause unsafe flight before the 1st run-up, after the 1st run-up and after the first flight.

Before allowing the aircraft to be flown, verify the instrument markings displayed on the INTEGRA screens are accurate with the aircraft's POH (Pilot's Operating Handbook) for every function displayed on the INTEGRA. Before allowing anyone to operate the aircraft read the User Manual including Notices therein. Keep the User Manual in the aircraft at all times.

### 2.2 Limited Warranty

This manual contains important information that may affect the safety of the pilot, passengers, aircraft, the operation of the system or time to install the system. You **MUST** read the manual prior to installing this system. Any deviation from these installation instructions is the sole responsibility of the installer and should be done in accordance with AC 43.13. Read the Warranty/Agreement. There is information in the Warranty/Agreement that may alter your decision to install this product. If you do not accept the terms of the Warranty/Agreement, do not install this product. This product may be returned for a refund. Contact TL elektronik Inc. for details.

**⚡ WARNING:** If the installer does not have the skills, knowledge, tools, equipment or facility, to perform and determine whether the installation of this product is safe, reliable and accurate and to determine whether this product is operating properly after installation, **DO NOT INSTALL THIS PRODUCT**. If the owner/pilot and/ or installer are unwilling to take the responsibility for the installation and operation of this product, **DO NOT INSTALL THIS PRODUCT**. This product may be returned for a refund. Contact TL elektronik Inc. for details.

-  **NOTE:** By installing this product, the aircraft owner/pilot and installer agree to hold TL-elektronic Inc. in no way responsible for monetary compensation, including punitive damages for any incident, harm and/or damage associated with this product. If you do not agree to the above, DO NOT INSTALL THIS PRODUCT. This product may be returned for a refund. Contact TL elektronik Inc. for details.
-  **NOTE:** TL-elektronic Inc. is not liable or responsible for a pilot's action or any situation that results in personal injury, property damage, missed commitments, lack of use of an aircraft or any expenses incurred due to: product failure, inaccuracy in displayed data or text files, display or display format issues, software bugs or problems, upgrade or customization issues, misinterpretation of the display, warning and/or limit settings, calibration problems, installation issues (leaks, incorrect wiring, obstructions, damage to aircraft or components, incorrect installation of any parts, wrong parts, parts that don't fit, etc.) or any other issues related to the installation or operation of this product. All of the above are solely the pilot's and/or installer's responsibility. The pilot must understand the operation of this product before flying the aircraft. The pilot will not allow anyone to operate the aircraft that does not know the operation of this product. The pilot will keep the instrument Operating Instructions in the aircraft at all times.
-  **WARNING:** Do not install a non-certified INTEGRA Module in a certified aircraft.
-  **WARNING:** Before starting the installation make sure the unit will fit in the location you intend to install it without obstructing the operation of any controls.
-  **CAUTION:** The INTEGRA Module must be calibrated to the aircraft's fuel system and the INTEGRA Module's accuracy must be verified before flying the aircraft.

### 3 Technical Specifications

#### Physical characteristic

Width (without brackets)	183.4 mm	7.220"
Height (without brackets)	141.4 mm	5.567"
Depth (without brackets)	50.4 mm	1.984"
Weight without battery	700 g	1.54 lb

#### General Specifications

Operating Temperature Range	- 30°C to +70°C
Humidity	95% non-condensing
Altitude Range	10000 meters max (32808 feet max)
Power Range	10.0 to 32.0 Volts
Max. Signalization	30 Volts, 1 Ampere
Power Consumption	0.45 Ampere @ 14VDC without ext. sensors
Vibration	5 to 500 Hz

#### Long-term Memory and communication

Storing Rate	0.1 to 60 seconds user selectable
Memory Capacity	Scheck@method
Data Saved Endurance	30 years
Rolling Memory life-time	100 000 hours @ 1 second storing rate

#### Communication

RS-232c	up to 115 200 bps
USB 2.0	480 Mb/s
CAN BUS	1 Mb/s



**Memory Card**

Type	INTEGRA support SD and SDHC memory card
------	---

**Audio Input/Output**

Transceiver input line	0.2 to 2 Volts (typ. 0.5 V)@1kHz – input impedance 600 Ω
Voice warning output line	typ. 300 mV@1kHz – output impedance 600 Ω
Audio output line	typ. 300 mV@1kHz – output impedance 600 Ω

**RPM and Engine Hours**

Range / Resolution

RPM	0 to 9999 rpm / 1 or 10 rpm
Engine time	0 to 9999 hours / 1min to 99 hours and 1/10 hour from 100 hours ±2 seconds @ 1 hour
Flight time	1 to 9999 hours / 1min to 99 hours and 1/10 hour from 100 hours ±2 seconds @ 1 hour

**Sensor parameters / Instrument Measured Range/Accuracy**

Low RPM Voltage	~6 to ~50 VAC / 300 to 9999 rpm / ±1 rpm
High RPM Voltage	~25 to ~80 VAC / 300 to 9999 rpm / ±1 rpm
Positive RPM Only	+6 to +60 VDC / 300 to 9999 rpm / ±1 rpm (can be use VAC)

**AUX RPM**

Input parameter	Positive pulse 8 to 32 Volts
Type of Switch	Inductive sensor of PNP type

**AUX IN**

Input positive	10 - 32 Volts
Input GND	-
Output	20 mA max (internal resistor 470 Ω)

**Position Sensor**

Range	0 - 5 KΩ
-------	----------

**Volts/Amps**

Voltage	0 to ±60 Volts / 0.1 Volt DC
Current	±100 Amps / 0.1 Amps (current shunt output 1mV @ 1 Amp) DC

**Temperature Sensor**

Oil, water/CHT, AUX Temperature	0 – 8000 Ω
	0.5 – 4.5 Volts

**Oil Pressure Sender**

Excitation for Oil Pressure	10 Volts
Input Volt/Current/Resistance	0 - 5 Volts
	0 – 1000 Ω

**Manifold Pressure Sender**

Excitation for Manifold Pressure	5 Volts
Input Volt/Resistance	0 - 5 Volts
	0 – 1000 Ω

**Fuel Pressure Sender**

Excitation for Fuel Pressure	10 Volts
Input Volt/Resistance	0 - 5 Volts
	0 – 1000 Ω

**Fuel Level Probe 1 and 2**

Excitation for Fuel Level	10 Volts
Input Volt/Resistance	0 - 5 Volts
	0 – 1000 Ω

**Fuel Flow Sensor**

Excitation for Fuel Flow Sensor	10 Volts
Flow per hour	0 to 400L/h @ 8450 K_factor / 0.1 liter/hour (0.26US-Gallon/hours)
Flow per dist.	0 to 400L/h @ 8450 K / 0.1 liter/100km (0.26US-Gallon/100 miles)
Fuel quantity	0 to 999 Liters / 0.1 liter/hour (0.26US-Gallon/hours)
Fuel pressure	0 to 5 bars (72.5PSI) / 0.01 bar (0.14PSI)
Engine Hours	0 to 9999.5 hours / ±2 seconds @ 1 hour

**Thermocouple Probe**

Thermocouple K	-35°C to +1200°C / ±5°C / 1°C
Thermocouple J	-35°C to +900°C / ±2°C / 1°C

## 4 Install Recommendation

### 4.1 Introduction

Careful planning and consideration are required to achieve the desired performance and reliability from the INTEGRA Module.

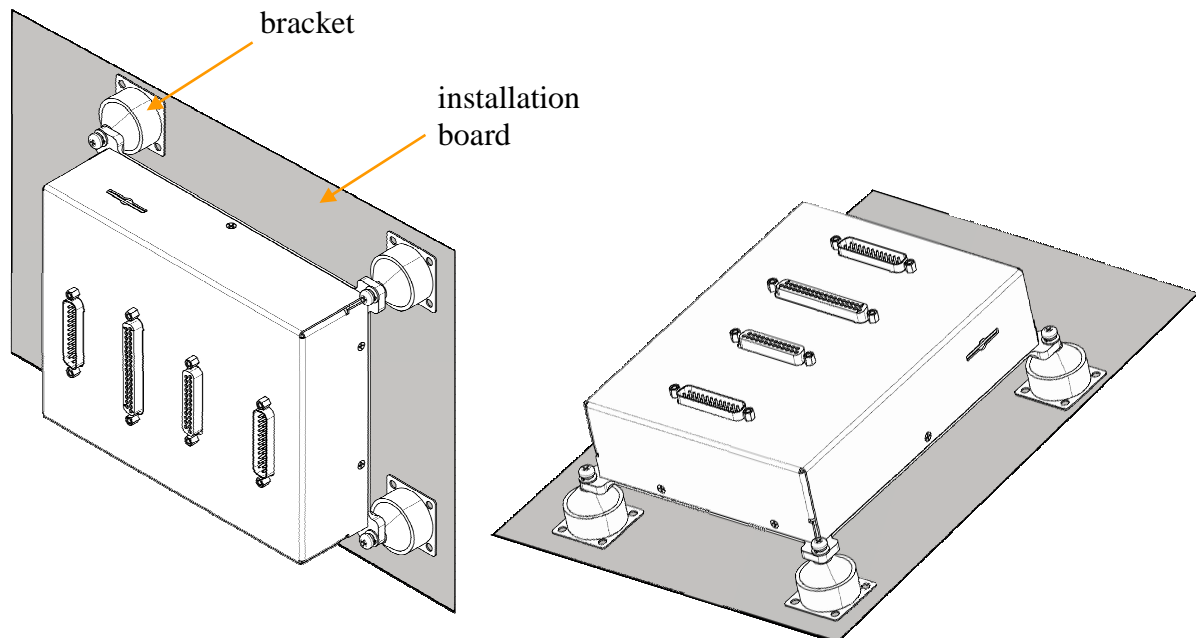
### 4.2 Installation

**⚡ WARNING:** Connect the cables into the connector.

**⚡ WARNING:** If possible, always use insulated wires connect to connect the Intercom so that you prevent possible interference from other equipment, which could result in interference in the headphones.

The diagram below shows the outside dimensions of the INTEGRA Module. Use the dimensions found on the diagram to plan for the space required by the instrument. Take the following considerations into account when selecting a mounting location for the INTEGRA Module. Avoid placing the instrument near heater vents or any source of extremely hot or cold air. Air surrounding the INTEGRA Module during operation may be no warmer than 70°C.

Installation orientation of INTEGRA Module TL-6780 is at user's discretion, there is no need to align the unit with aircraft axes etc. Secure INTEGRA brackets to your installation board by screws.



### ***4.3 Recommended Wiring Practices***

For all electrical connections, use correct wiring techniques, taking care to properly insulate any exposed wire or cables. A short circuit between any of the wires may cause damage to the INTEGRA Module and/or your aircraft. Make all connections to your harness before connecting it into any of the components of the system. Do not make connections while INTEGRA Module is turned on or power is applied at any point in the system. We recommend that all wire you use also meets 22 AWG Mil Standard MIL-W-22759/16; – with the exception of the thermocouple harnesses. When using any pre-manufactured harness, verify that each pin has continuity with the expected wire on the wiring diagram. This test can be easily done with a multimeter. When verifying harnesses, use the wiring charts and diagrams in this guide. Use appropriate strain relief at all junctions between wires and connectors. We recommend that you secure all wires at regular intervals along wiring runs to accommodate vibration effects.

### ***4.4 Thermocouple Harness Preparation***

Refer to Thermocouple connection on page 6-18 during this procedure.

Strip ¼” of insulation from each of the thermocouple wires inside. Crimp the supplied male Fastons onto each wire on the thermocouple harness. These will later be inserted into the female Fastons on each thermocouple. Do not connect the Fastons on the harness with those on the thermocouples until you have routed the wires and mounted the thermocouples at the desired location. The thermocouple wires can be cut to a desired length if your application requires. If you need to extend the length of the thermocouple, you must use the correct type (J or K) thermocouple wire to accomplish this. It is acceptable to use non-thermocouple fasteners to join two pieces of thermocouple pair wire, provided the junction does not extend very far or have large temperature differences across it. Please contact TL electronic to order extension wire.

### ***4.5 Harness Mating***

The following diagram shows the connectors on the back of the INTEGRA Module. From the right side the first two connectors are used for the EFIS portion (also used to provide power to the instrument) of the product; the two connectors on the left are used for the EMS portion. The main EMS harness (for all connections except EGT & CHT thermocouples) must terminate in a 37-pin male D-sub connector. The EGT/CHT thermocouple harness must terminate in a 25-pin female D-sub connector. The following pages provide wiring diagrams and details for each of these harnesses.

### ***4.6 Power Requirements***

22 AWG wire is normally sufficient for the power supply and grounding, but we recommend that you consult a wire sizing chart and determine the size required for the wire routing in your particular aircraft. Ensure that the power supply include a circuit breaker

#### ***4.7 Wiring Overview***

The INTEGRA Module power requirement is as low as 3 amps in a 12/24 volt system. And therefore you can use a 3-amp circuit breaker. See the technical specification chart for details.

#### ***4.8 Grounding***

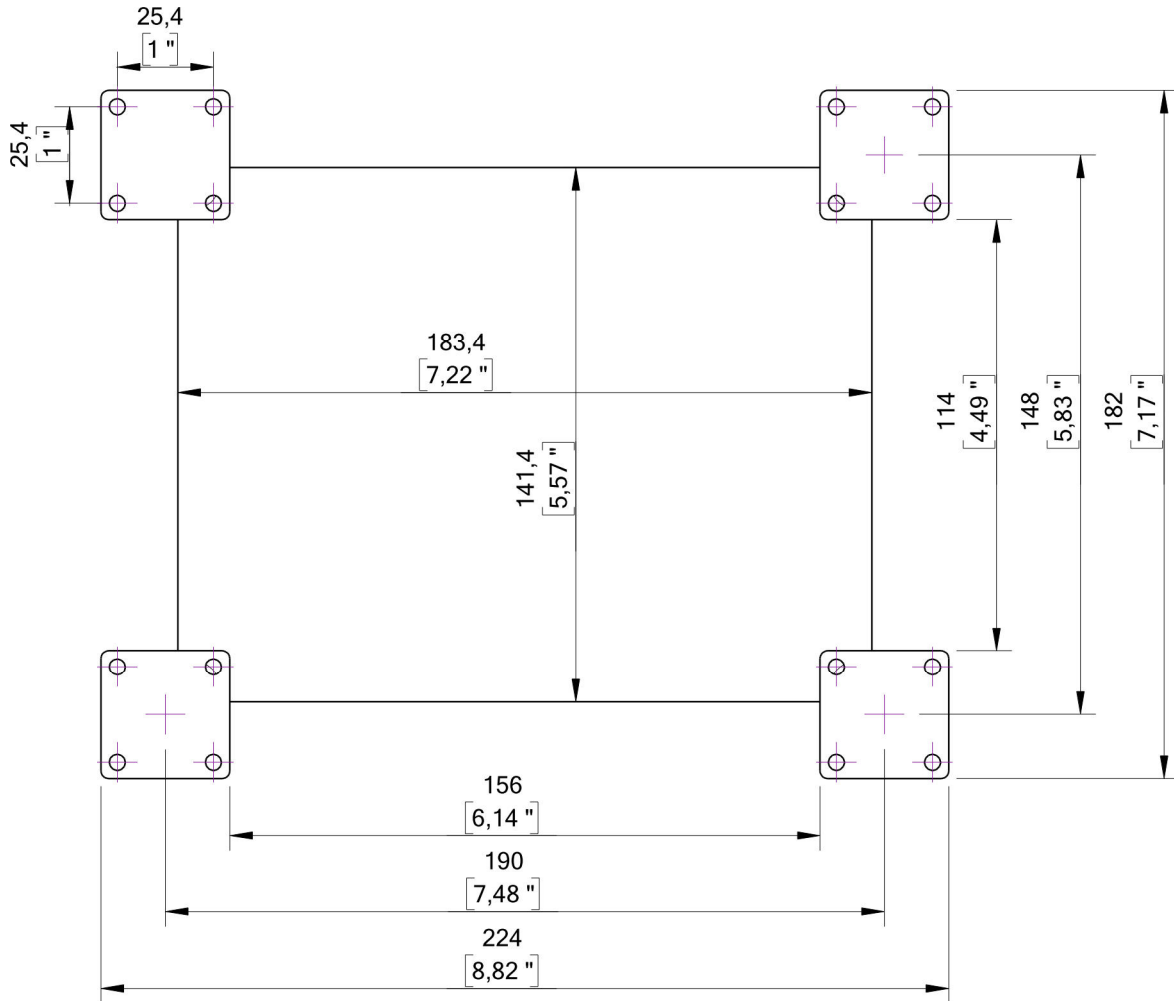
Many of the engine sensors require a connection to an aircraft ground with the INTEGRA Module. There are many places on an aircraft where you could connect these sensors. However, the ideal location to ground these sensors is near the INTEGRA Module to minimize voltage differences between the sensor and instrument grounds. Some sensors (e.g., oil pressure and oil temperature) connect to ground via their cases' contact with the engine or aircraft body. There must be a solid connection between this "case ground" and the INTEGRA Module ground. The oil temperature sensor is very susceptible to voltage differences between the engine case and the negative terminal of the battery. Ensure that solid, thick electrical connections exist between the engine and battery ground. Some sensors do not have a grounded case and have two leads instead. This sensor with tow out puts will not be affected by the differences described above.

In the case of single output sensors (second output is the body of sensors) measuring can be affected by current drawn between the instrument ground and the battery ground that can cause voltage differences which adversely affect engine sensor readings.

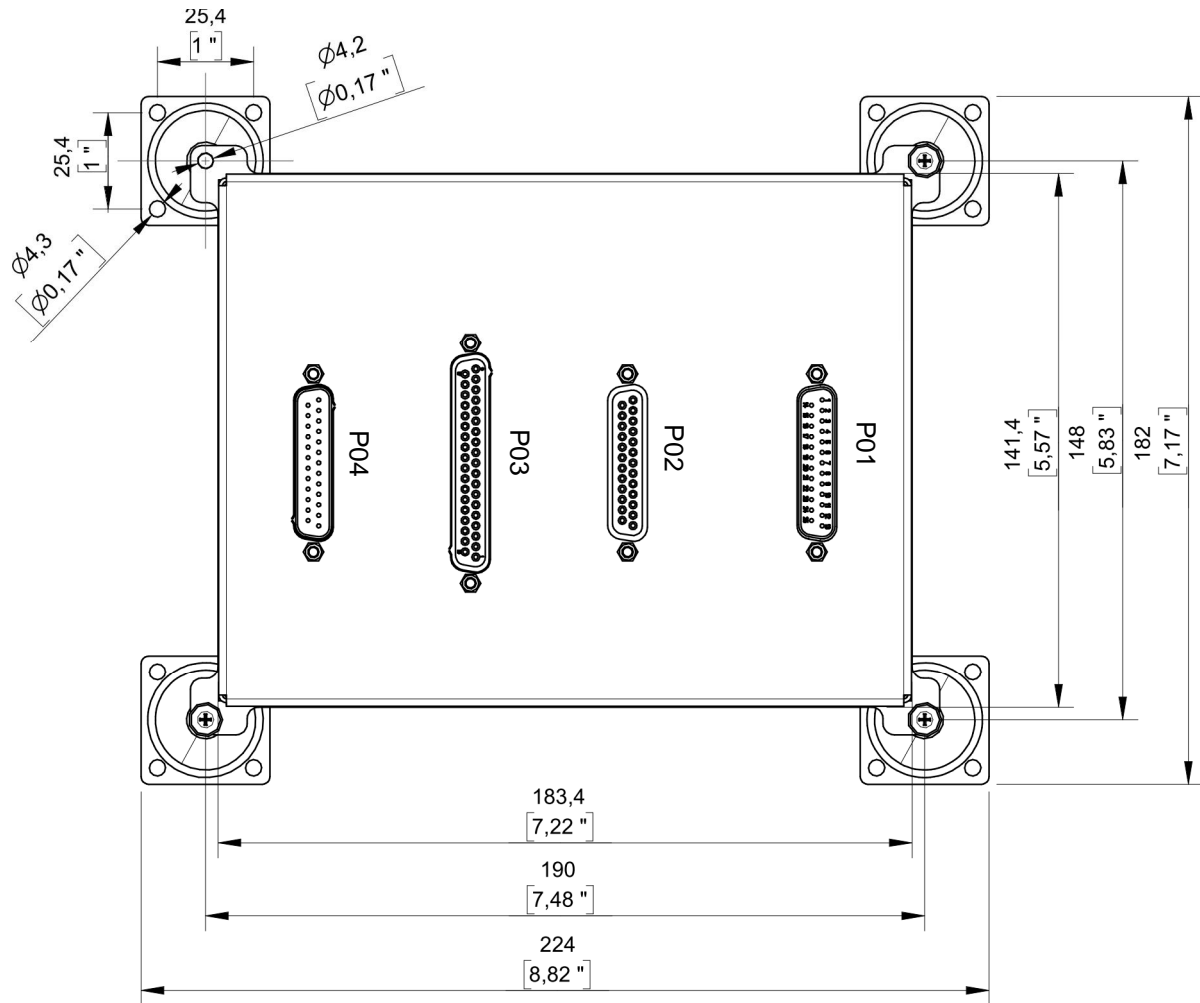
## 5 Mechanical Drawing

- NOTE:** Main unit for dimensions in the mechanical drawings is millimeters; values in square brackets are in inches.

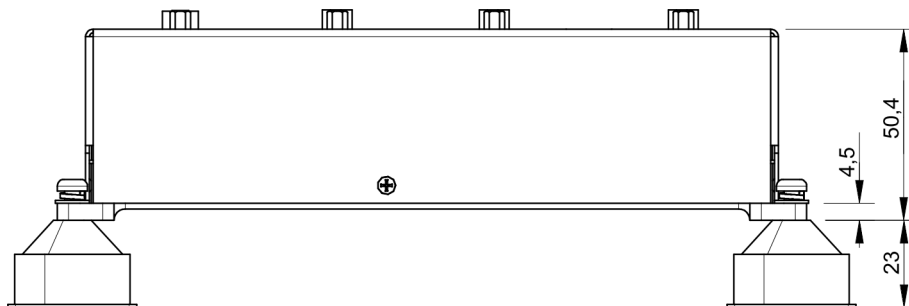
### 5.1 Front View



### 5.2 Rear View



### 5.3 Side View



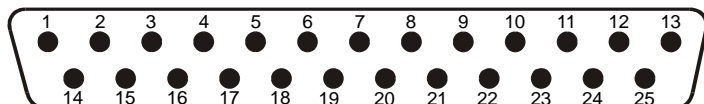


## 6 Electrical Drawing

### 6.1 PIN FUNCTION list

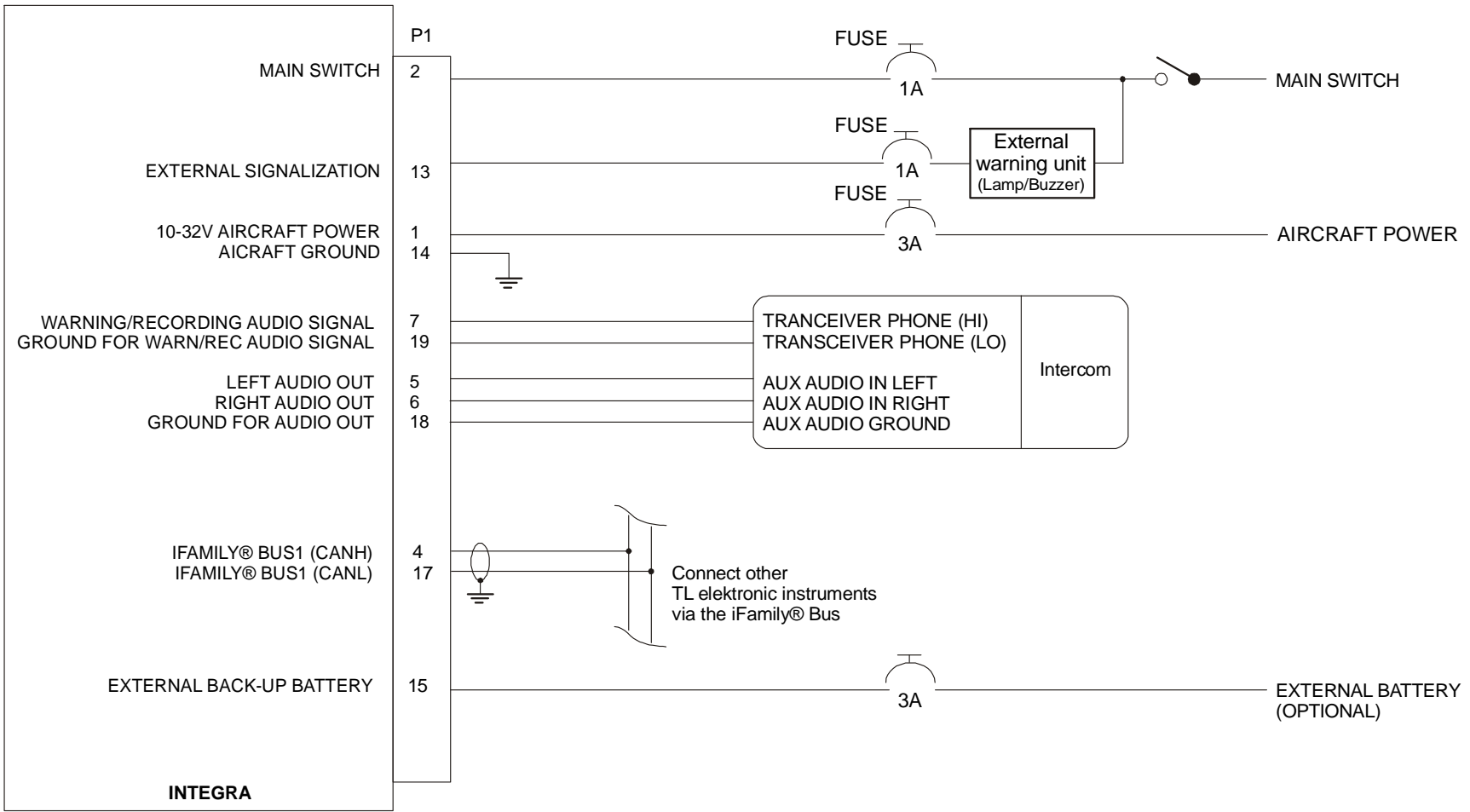
**Main Connector P01**– type: D-SUB25 – Male (connector on INTEGRA Module)

Pin	Pin Name	I/O
1	Aircraft Power (10 to 32V)	In
2	Main switch (10 to 32 V)	In
3	N/A	--
4	iFamily® Bus1 (CANH)	I/O
5	Audio out - Left (HI - pilot headphones or IC)	Out
6	Audio out - Right (HI - pilot headphones or IC)	Out
7	Transceiver Phone	--
8	N/A	--
9	N/A	--
10	N/A	--
11	N/A	--
12	N/A	--
13	External Signalization	In
14	Aircraft GND	--
15	External Back-Up battery (10 to 32 V)	In
16	N/A	--
17	iFamily® Bus1 (CANL)	I/O
18	Ground for audio out	Out
19	Ground for transceiver phone	I/O
20	N/A	--
21	N/A	--
22	N/A	--
23	N/A	--
24	N/A	--
25	Ground	--



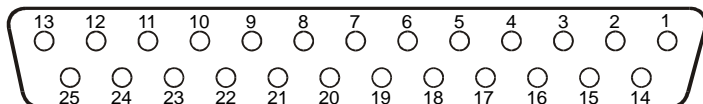
**notation of pins D-SUB 25 Male connector**

**6.1.1 Power, Signalization, Transceiver and iFamily® Interconnect**



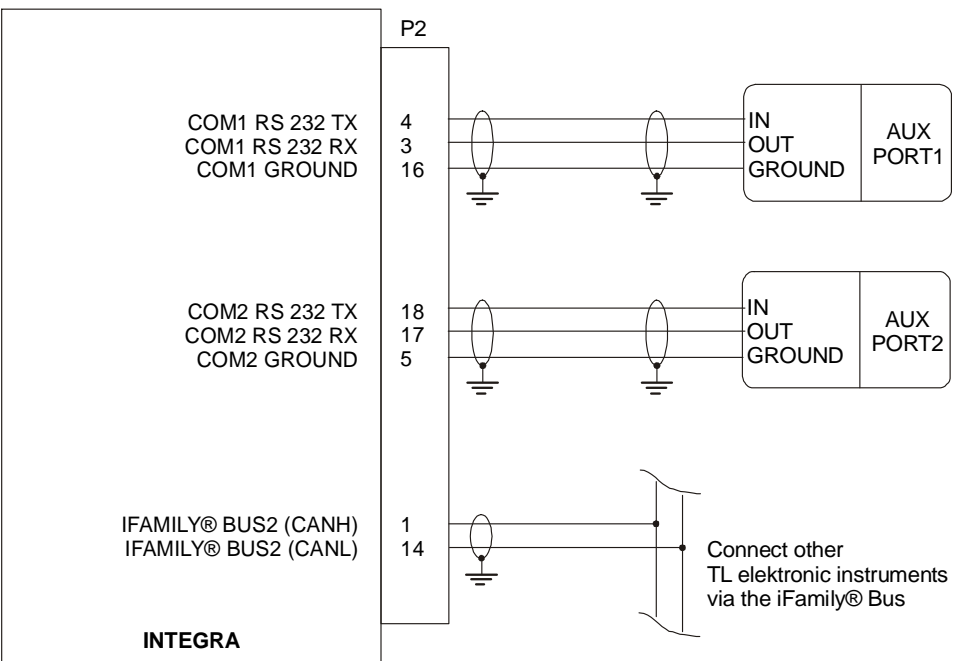
**Inputs and Communication Connector P02** – type: D-SUB25 – Female (connector on INTEGRA Module)

Pin	Pin Name	I/O
1	iFamily® Bus2 (CANH)	I/O
2	N/A	--
3	COM1 RS-232 (RX)	In
4	COM1 RS-232 (TX)	Out
5	COM2 RS-232 (GND)	--
6	RPM - Positive pulse only	In
7	RPM - High amplitude	In
8	Auxiliary No.1	I/O
9	Auxiliary No.2	I/O
10	Auxiliary No.3	I/O
11	Position input	In
12	Inside air temperature sensor	In
13	Outside air temperature sensor	In
14	iFamily® Bus2 (CANL)	I/O
15	N/A	--
16	COM1 RS-232 (GND)	--
17	COM2 RS-232 (RX)	In
18	COM2 RS-232 (TX)	Out
19	RPM - Low amplitude	In
20	RPM - Ground for sensor	--
21	Auxiliary No.4	I/O
22	Auxiliary No.5	In
23	Ground for position input	--
24	Ground for inside air temperature sensor	--
25	Ground for outside air temperature sensor	--

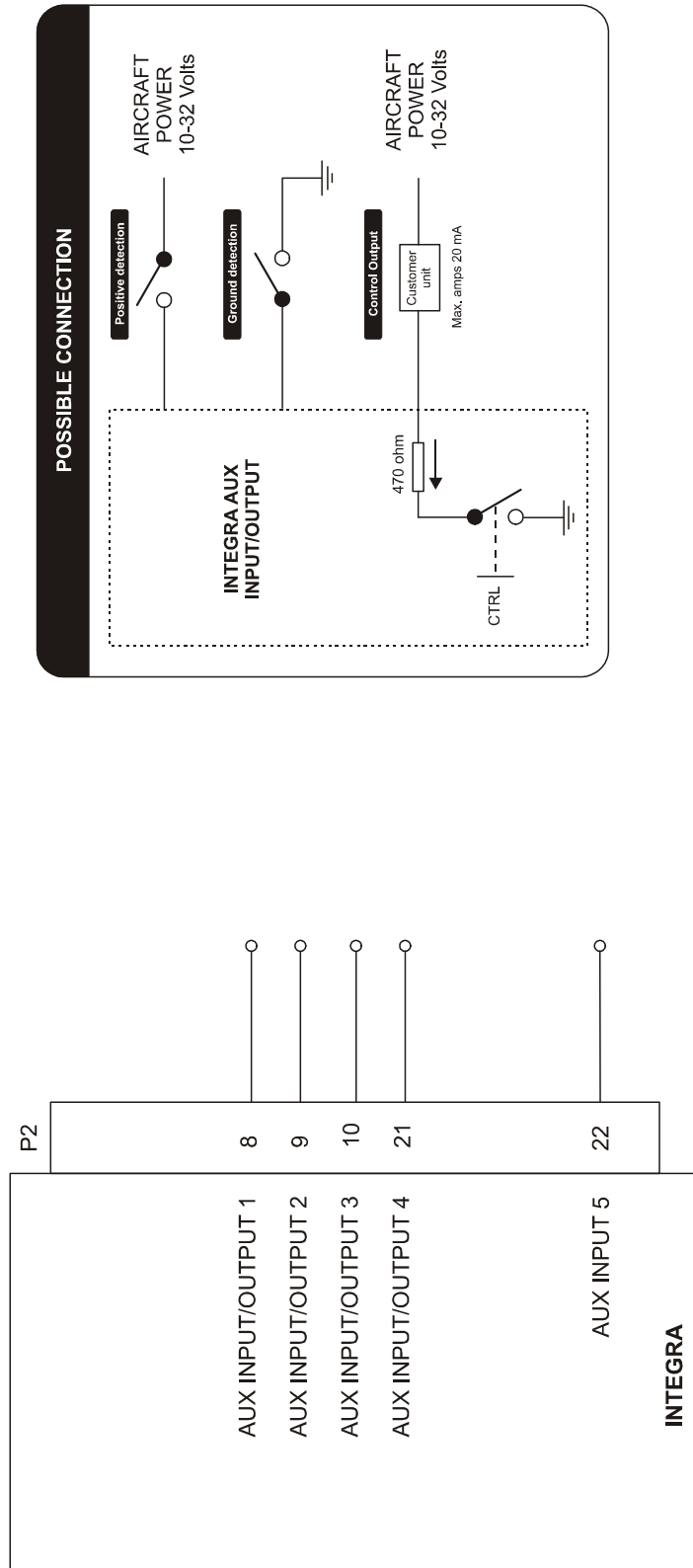


**notation of pins D-SUB 25 Female connector**

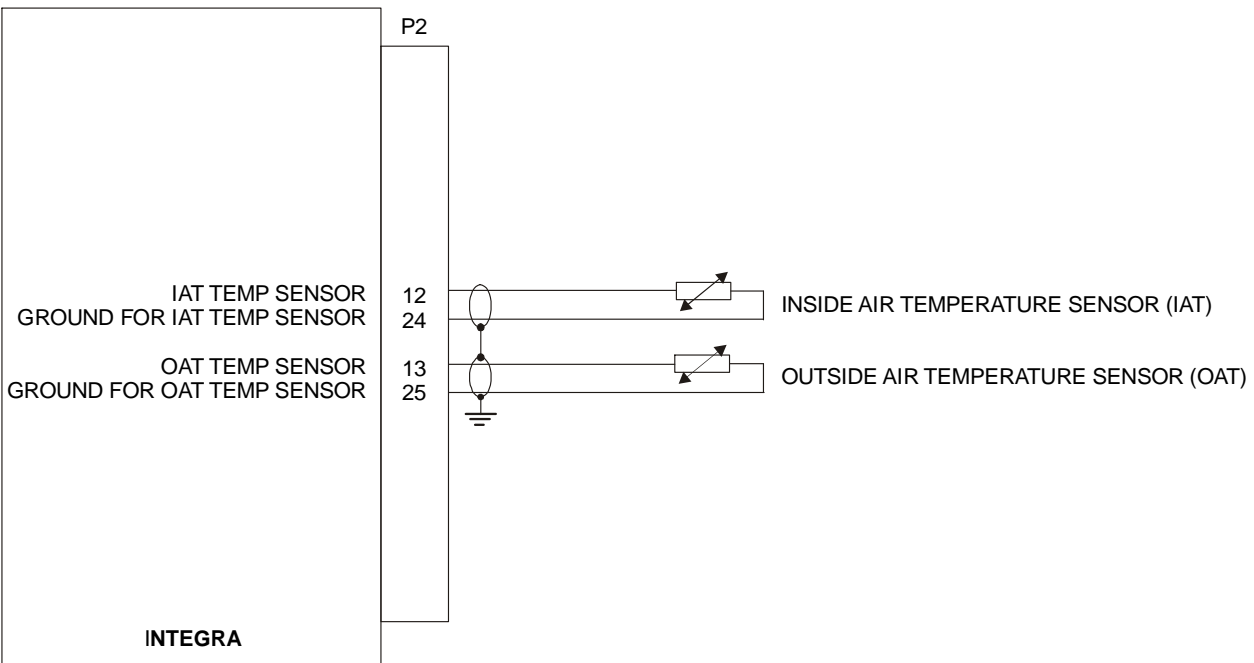
### 6.1.2 Auxiliary Ports and iFamily® Interconnect



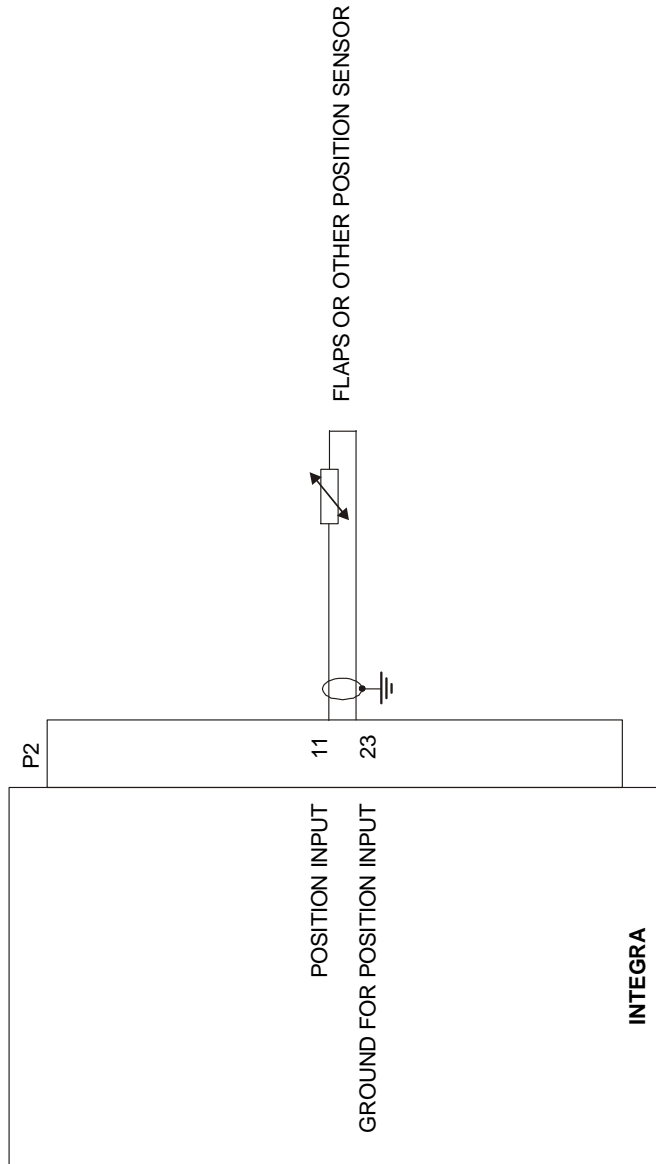
### 6.1.3 Auxiliary Input/Output Interconnect



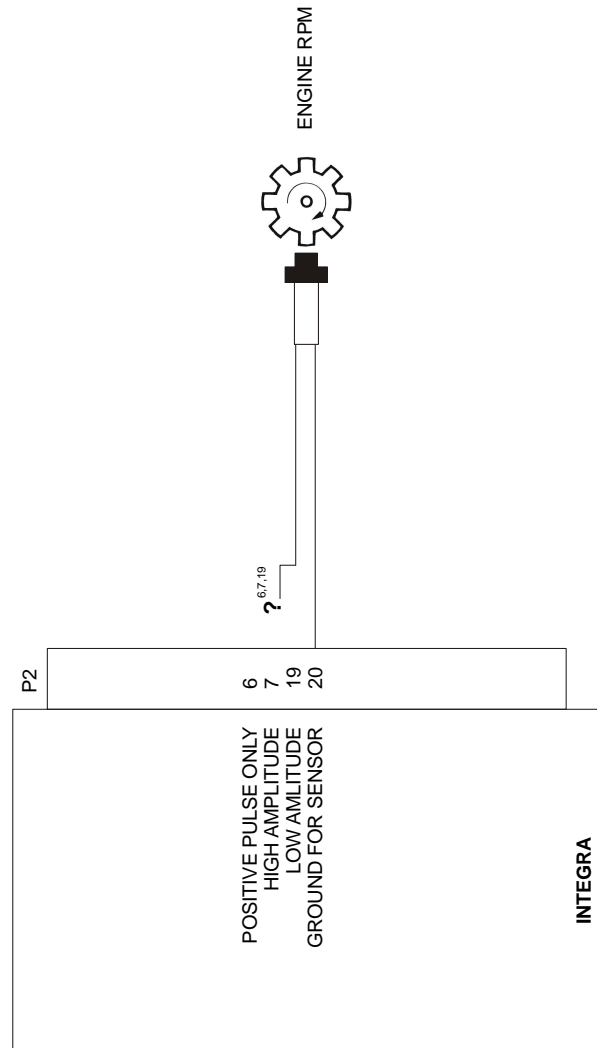
### 6.1.4 IAT and OAT Interconnect



### 6.1.5 Position Interconnect



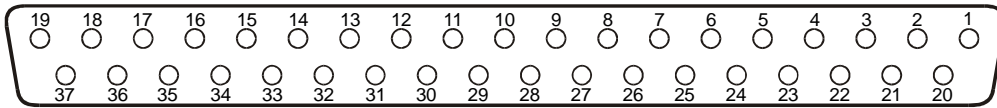
### 6.1.6 Engine RPM Interconnect





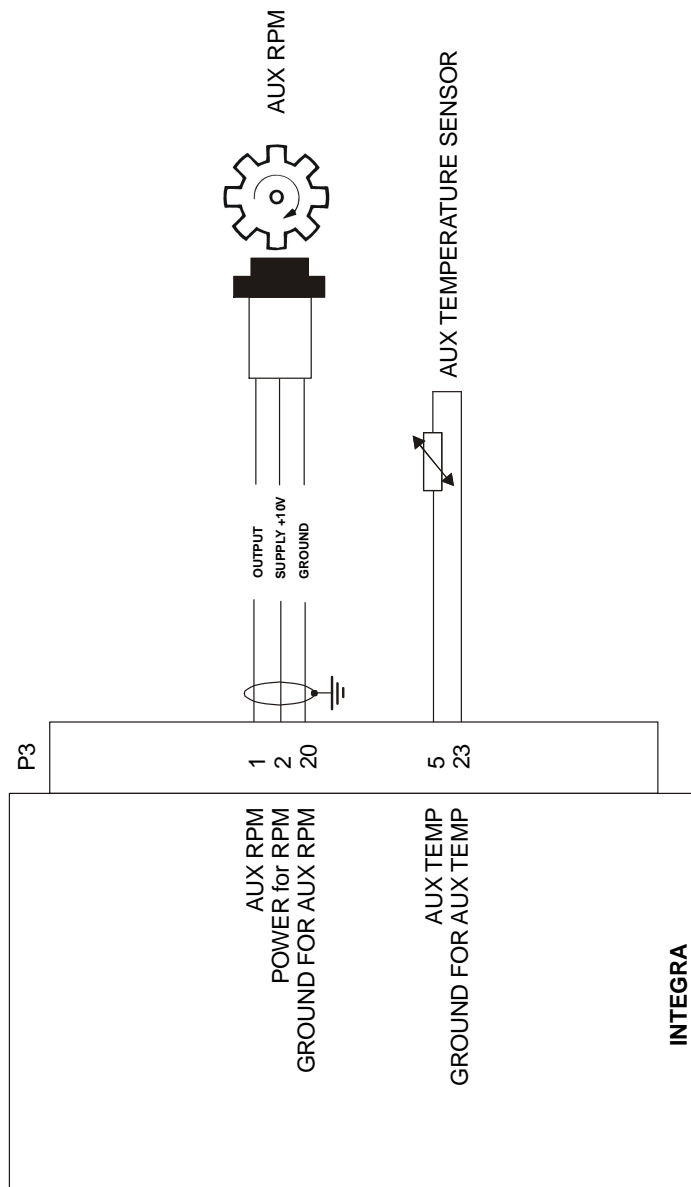
**Sensors Connector P03** – type: D-SUB37 – Female (connector on INTEGRA Module)

Pin	Pin Name	I/O
1	Auxiliary RPM pulse	In
2	Power for auxiliary RPM sensor	Out
3	Oil temperature	In
4	Water/CHT temperature	In
5	Auxiliary temperature	In
6	Oil pressure	In
7	Power for oil pressure	Out
8	Ground for fuel pressure sensor	--
9	Manifold pressure	In
10	Power for manifold pressure	Out
11	Ground for fuel level sensor 1 (LEFT or TOTAL TANK)	--
12	Fuel level sensor 2 (RIGHT TANK)	In
13	Power for fuel level sensor 2 (RIGHT TANK)	Out
14	Ground for fuel flow sensor	--
15	Voltage No.1	In
16	Voltage No.2	In
17	Current No.1 (HI)	In
18	Current No.2 (HI)	In
19	Current No.3 (HI)	In
20	Ground for auxiliary RPM sensor	--
21	Ground for oil temperature	--
22	Ground for water/CHT temperature	--
23	Ground for auxiliary temperature	--
24	Ground for oil press	--
25	Output from fuel pressure sensor	In
26	Power for fuel pressure	Out
27	Ground for manifold pressure	--
28	Fuel level sensor 1 (LEFT or TOTAL TANK)	In
29	Power for fuel level sensor 1 (LEFT or TOTAL TANK)	Out
30	Ground for fuel level sensor 2 (RIGHT TANK)	--
31	Output from fuel flow sensor	In
32	Power for fuel flow sensor	Out
33	Ground for voltage	--
34	Voltage No.3	In
35	Current No.1 (LO)	In
36	Current No.2 (LO)	In
37	Current No.3 (LO)	In

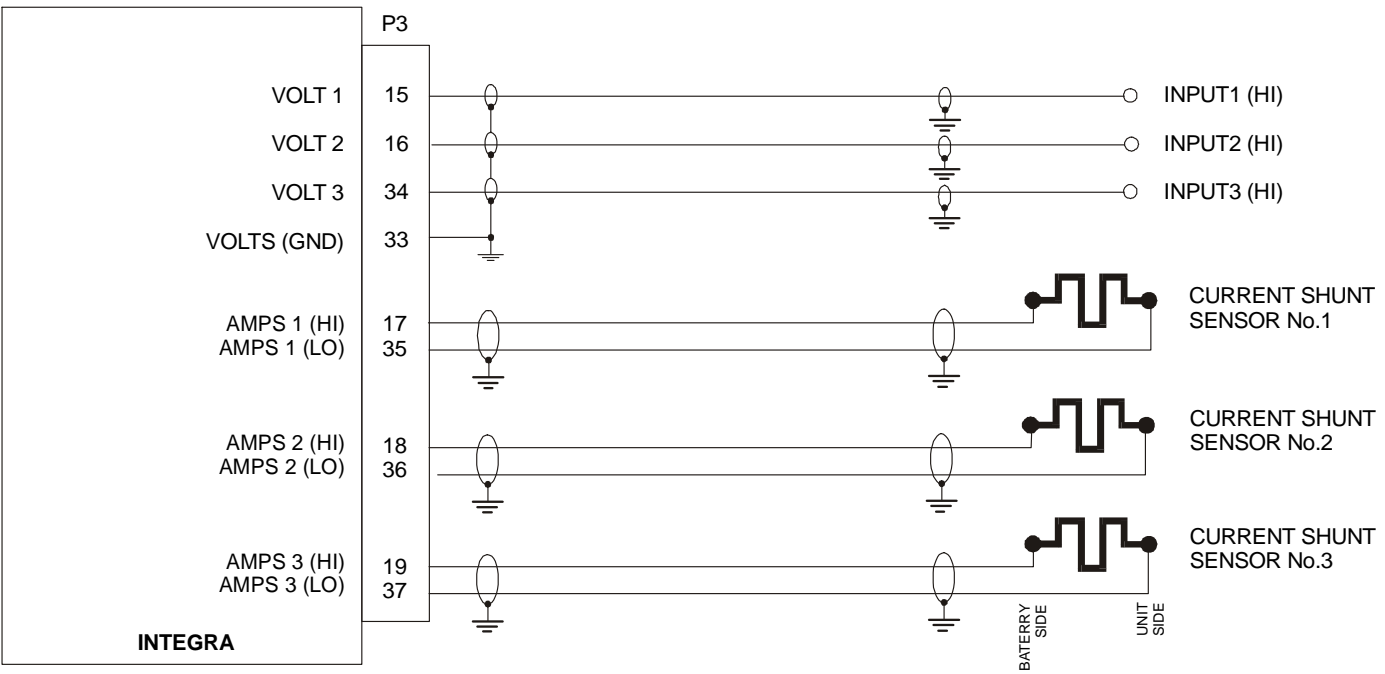


notation of pins D-SUB 37 Female connector

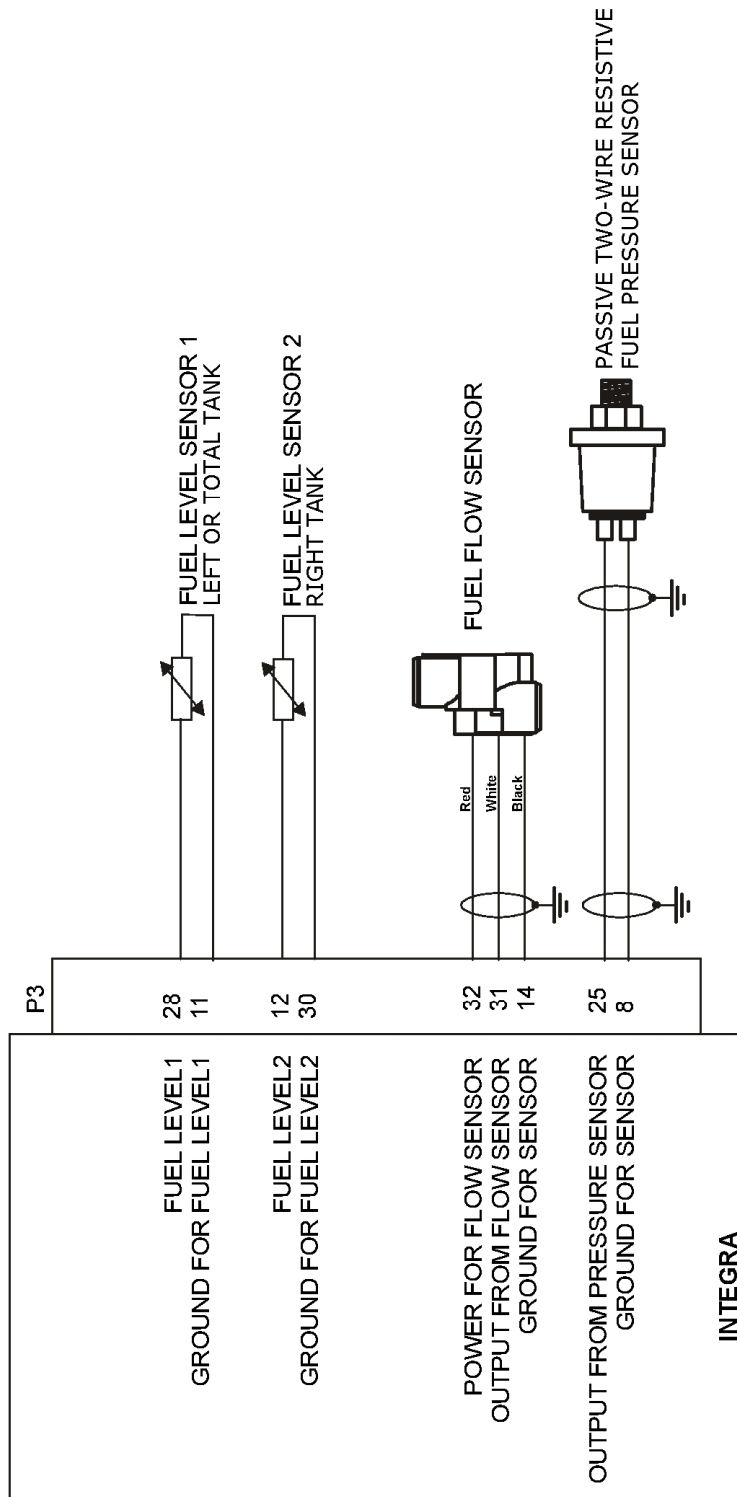
### 6.1.7 RPM and Temperature Sensor Interconnect



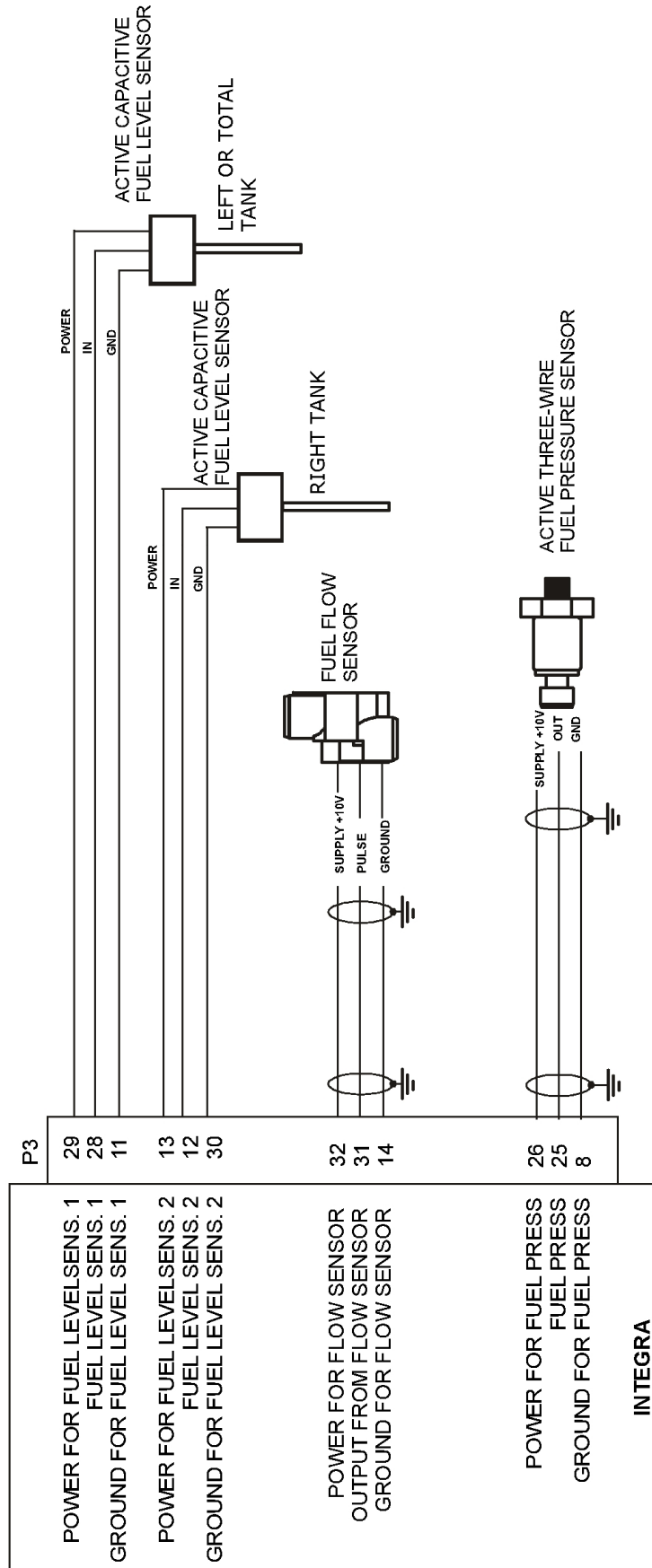
### 6.1.8 Volts and Shunt Sensor Interconnect



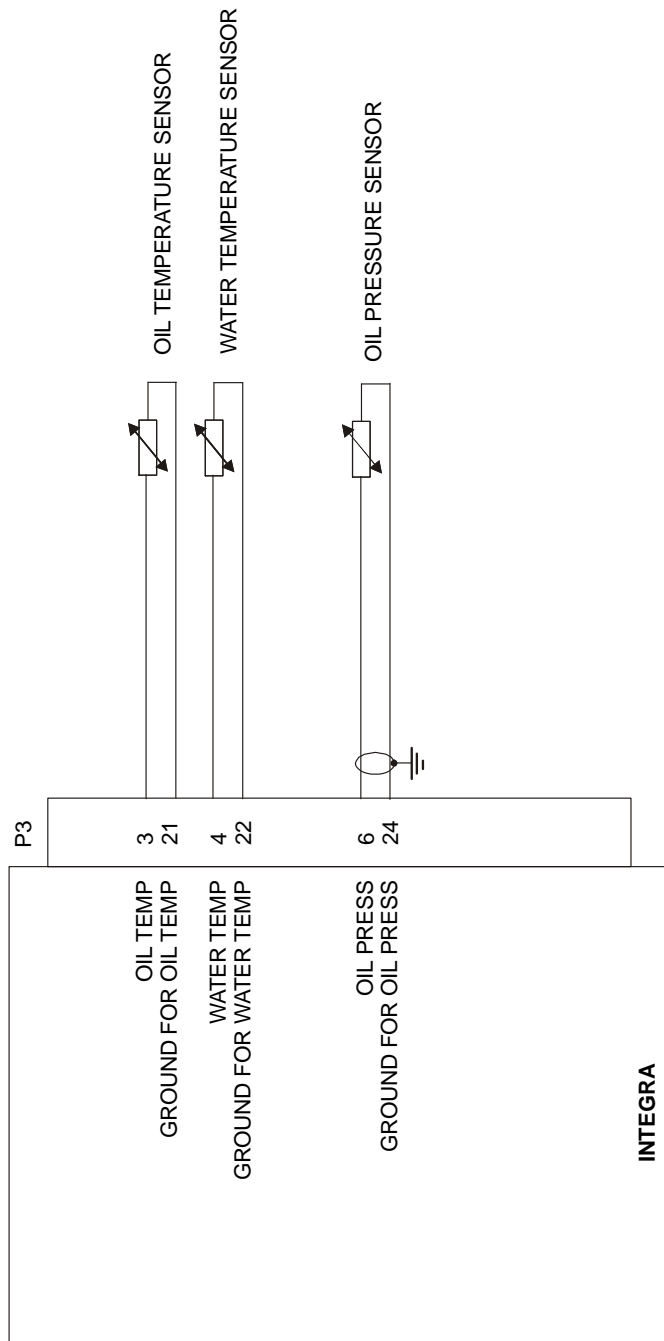
6.1.9 Fuel Sensors Interconnect - (Passive)



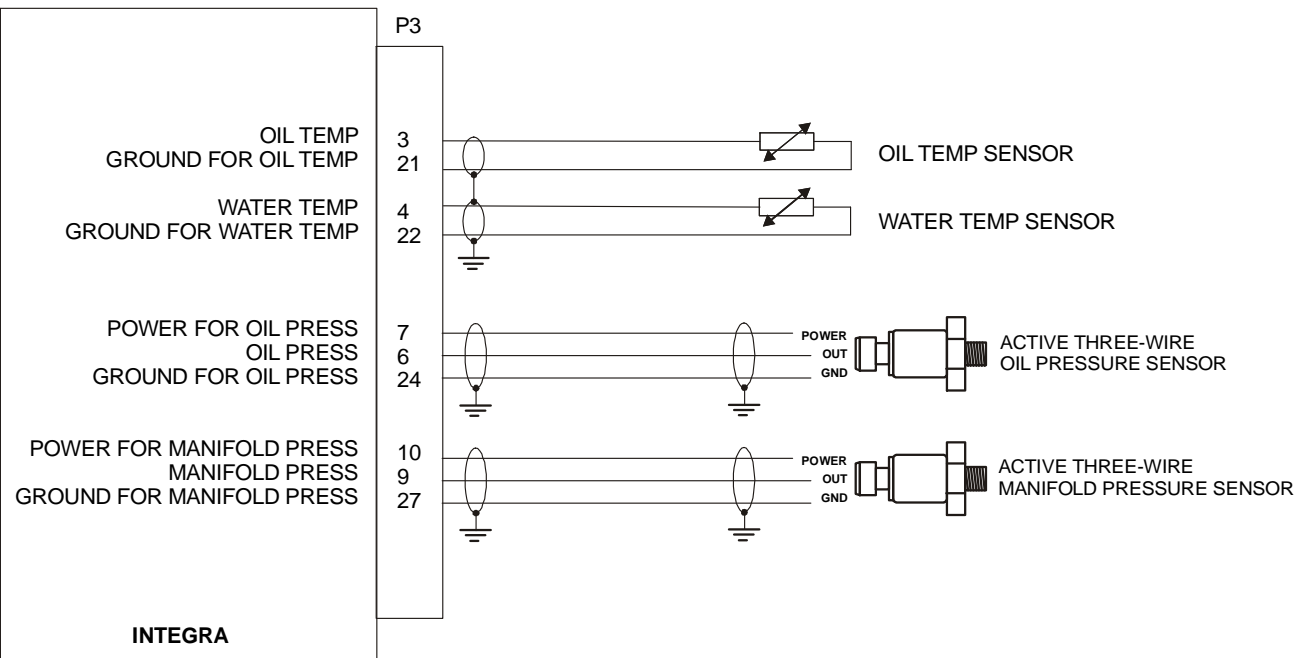
6.1.10 Fuel Sensors Interconnect - (Active)



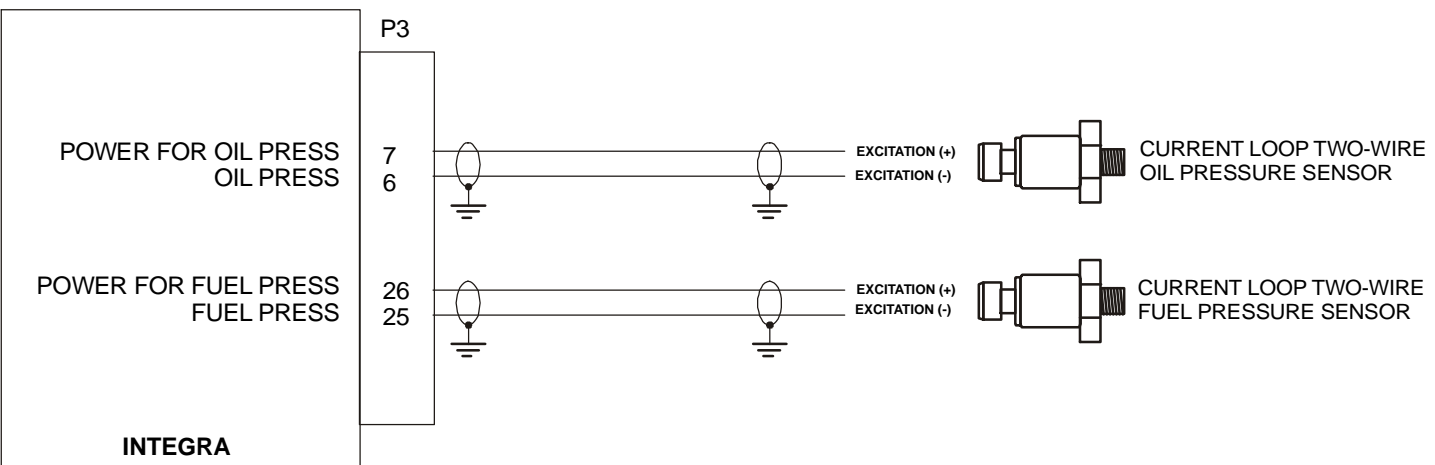
### 6.1.11 Oil, Water/CHT Temperature and Oil Pressure - (Passive)



**6.1.12 Oil, Water/CHT Temperature and Oil, Manifold Pressure - (Active)**



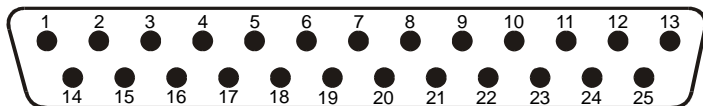
### 6.1.13 Oil and Fuel Pressure - (Current Loop)





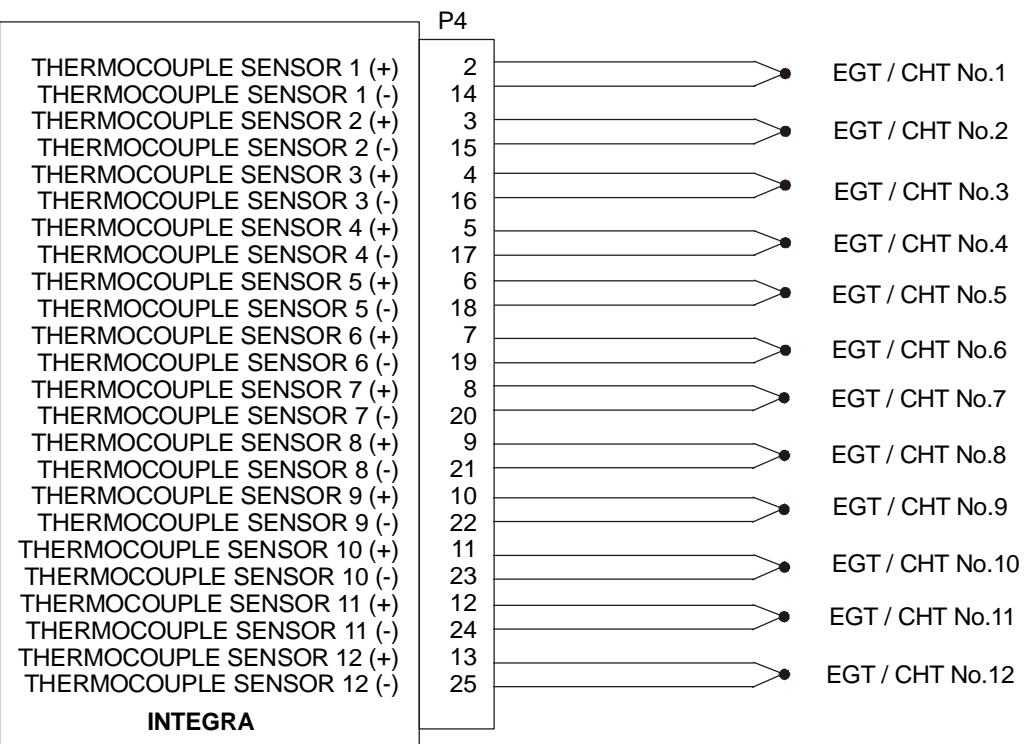
**Thermocouple Connector P04** – type: D-SUB25 – Male (connector on INTEGRA Module)

Pin	Pin Name	I/O
1	Not Connected	- -
2	Thermocouple No. 1 (+)	In
3	Thermocouple No. 2 (+)	In
4	Thermocouple No. 3 (+)	In
5	Thermocouple No. 4 (+)	In
6	Thermocouple No. 5 (+)	In
7	Thermocouple No. 6 (+)	In
8	Thermocouple No. 7 (+)	In
9	Thermocouple No. 8 (+)	In
10	Thermocouple No. 9 (+)	In
11	Thermocouple No. 10 (+)	In
12	Thermocouple No. 11 (+)	In
13	Thermocouple No. 12 (+)	In
14	Thermocouple No. 1 (-)	In
15	Thermocouple No. 2 (-)	In
16	Thermocouple No. 3 (-)	In
17	Thermocouple No. 4 (-)	In
18	Thermocouple No. 5 (-)	In
19	Thermocouple No. 6 (-)	In
20	Thermocouple No. 7 (-)	In
21	Thermocouple No. 8 (-)	In
22	Thermocouple No. 9 (-)	In
23	Thermocouple No. 10 (-)	In
24	Thermocouple No. 11 (-)	In
25	Thermocouple No. 12 (-)	In



**notation of pins D-SUB 25 Male connector**

### 6.1.14 Thermocouples



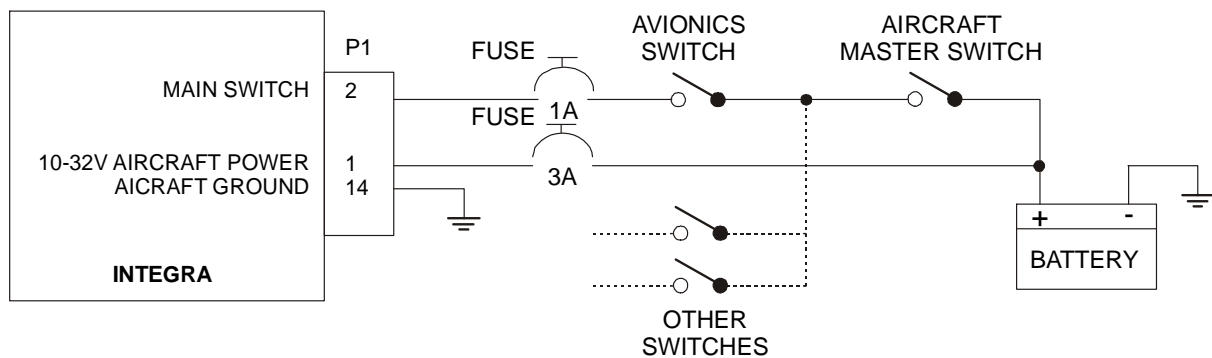
**⚠ CAUTION:** The thermocouple sensor is a very precise sensor based on the physical phenomenon of two different cables that are connected in the place of measuring. For this reason it is necessary to lengthen these sensors only with an extension cable that is suitable for the particular type of sensor.

## 6.2 Recommended connections

### 6.2.1 Possibilities of Power Supply connection

The following possibilities of power supply connection are applied in case the backup battery of Integra Module is not connected.

#### 6.2.1.1 Mostly recommended option



**NOTE:** Protection by fuse of pin no.2 is recommended as it is shown on picture. The reason is protection against accidental short circuit caused by connector manipulation or failure of cable insulation.

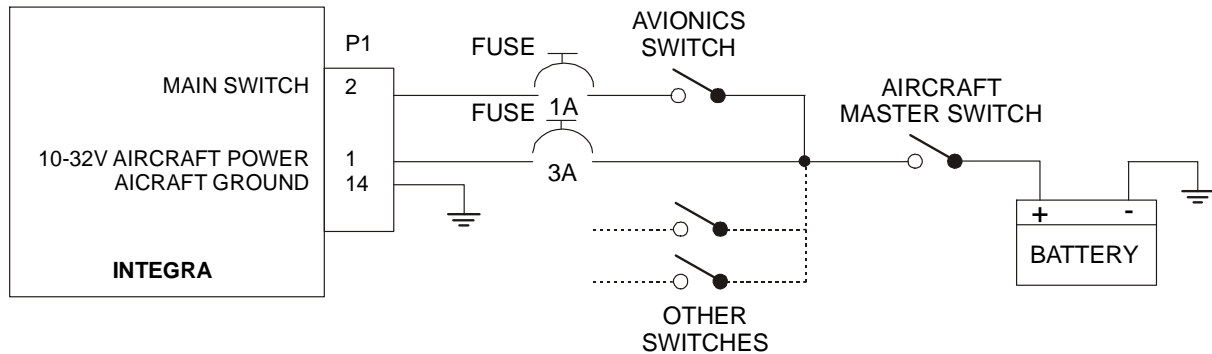
#### Advantage of this option:

The Integra Quick Start function is available for this option of power supply connection. With this function the Integra Module can perform quick switch on in 2 seconds after Aircraft Master Switch and Avionics Switch is ON.

#### Disadvantage of this option:

The Integra Module permanently consumes current 0.5 mA of aircraft battery due Integra Module standby state.

### 6.2.1.2 Recommended option



**NOTE:** Protection by fuse of pin no.2 is recommended as it is shown on picture. The reason is protection against accidental short circuit caused by connector manipulation or failure of cable insulation.

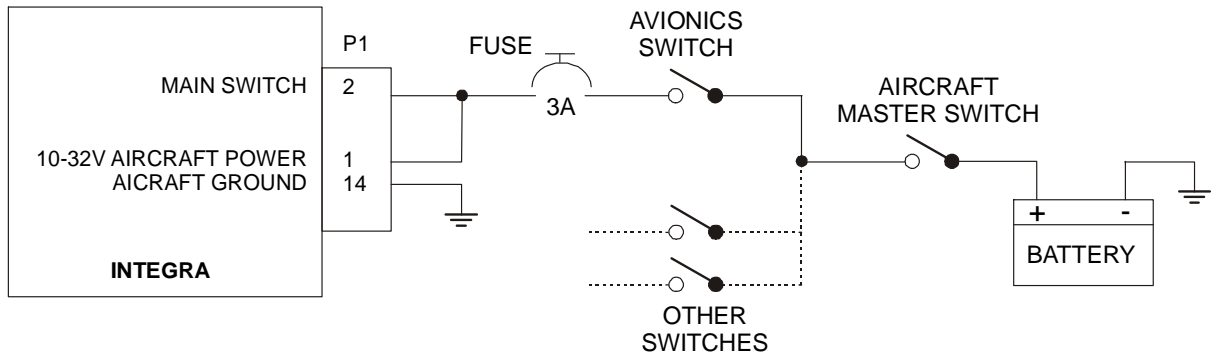
#### Advantage of this option:

When the Avionics Switch disconnects the pin no.2, the Integra Module will detect off-state and will be switched off by regular way in 5 seconds. Then the Integra Module power supply could be disconnected without any harm by Aircraft Master Switch.

#### Disadvantage of this option:

If the Integra Module power supply is disconnected by Aircraft Master Switch sooner than in 5 seconds, the latest records in memory could be damaged and therefore they could not be available for inspection. This does not apply to Crash Memory.

### 6.2.1.3 The least convenient option



**Advantage of this option:**

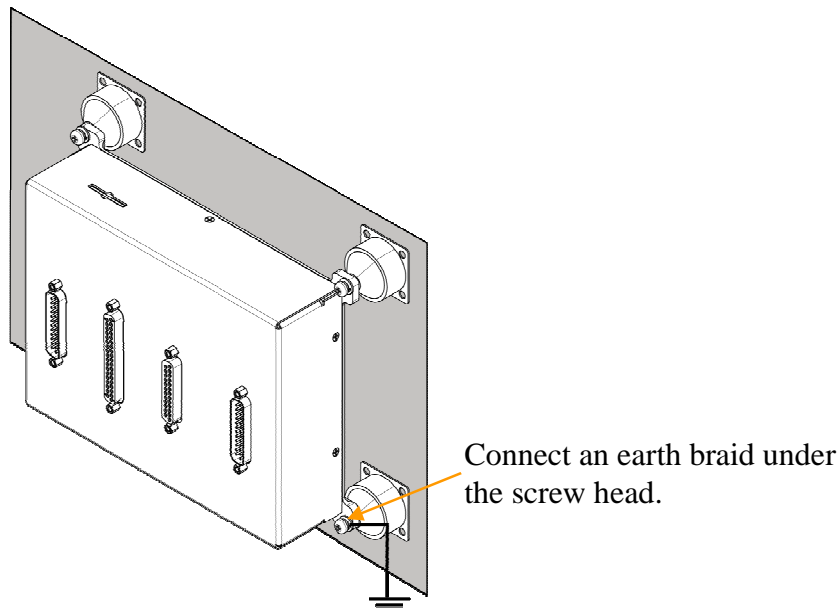
It is simple.

**Disadvantages of this option:**

The switch (Avionics Switch or Aircraft Master Switch) disconnects the Integra Module from power supply.

This can result in error of data storage. In case of the error, the sequence of latest records in memory could be damaged and therefore it could not be available for inspection. This does not apply to Crash Memory.

### 6.2.2 Possible connection to frame



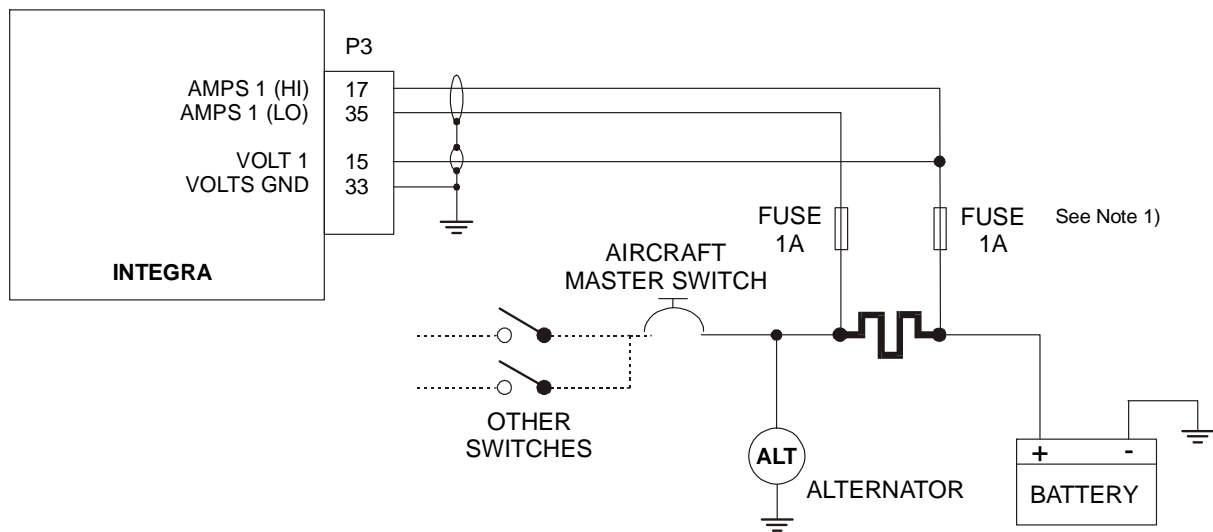
**NOTE:**

Connect an earth braid under the screw head. Be sure that you have connected it to correct bracket, which has removed paint from upper side for good grounding connection.

**NOTE:** It is recommended to ensure good connection of the installation board to the ground. In case the installation board is not connected to frame and onboard systems are simultaneously connected to the installation board, current would flow through the case of Integra Module and it may result in damage of the Integra Module.

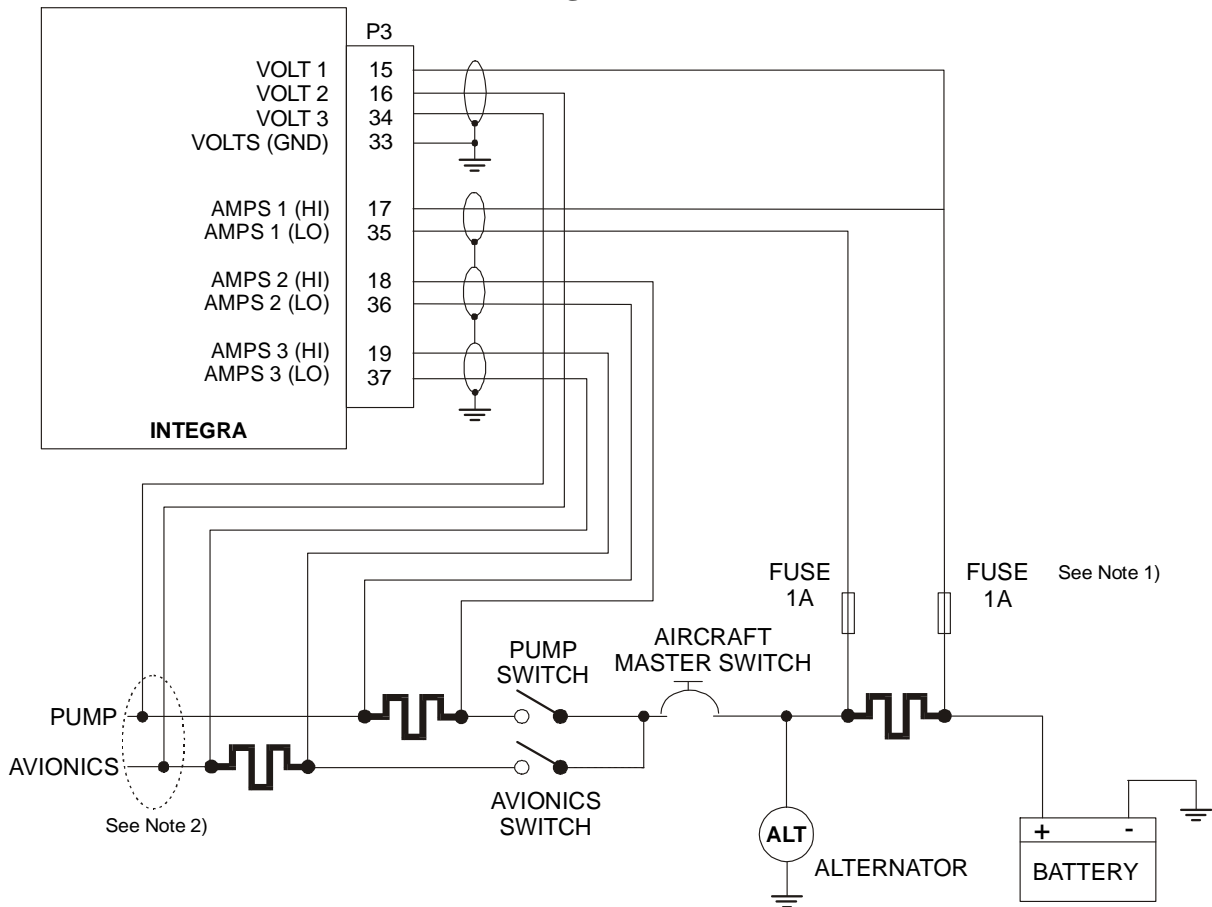
### 6.2.3 Possibilities of Volts and Current Shunt Sensors Connection

#### 6.2.3.1 The typical connection in case of one current shunt sensor



**NOTE 1:** Protection by fuse is recommended as it is shown on picture. The reason is protection against accidental short circuit caused by connector manipulation or failure of cable insulation.

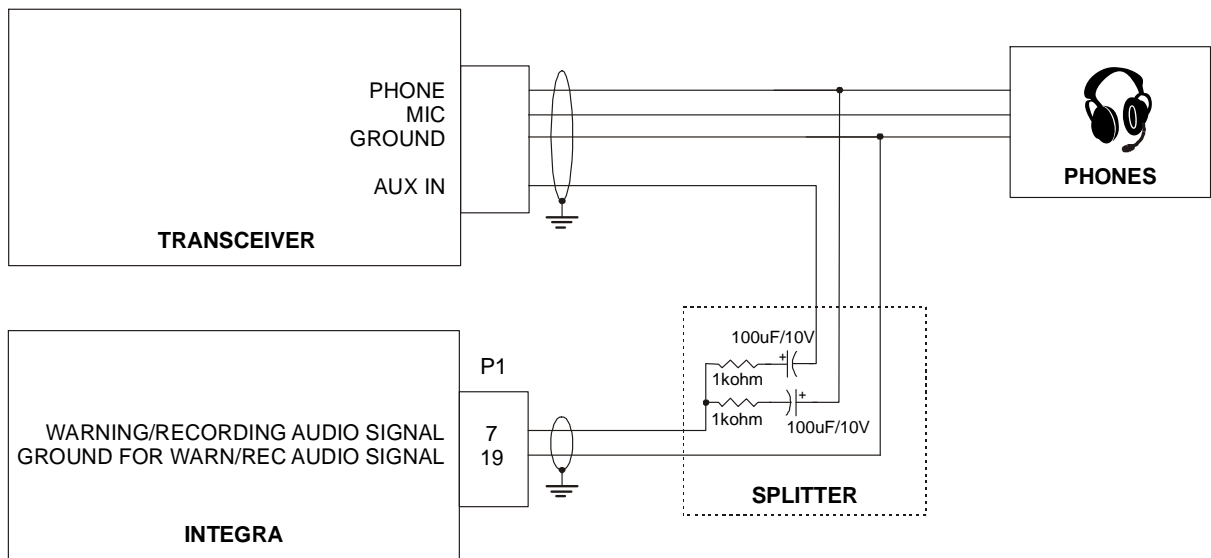
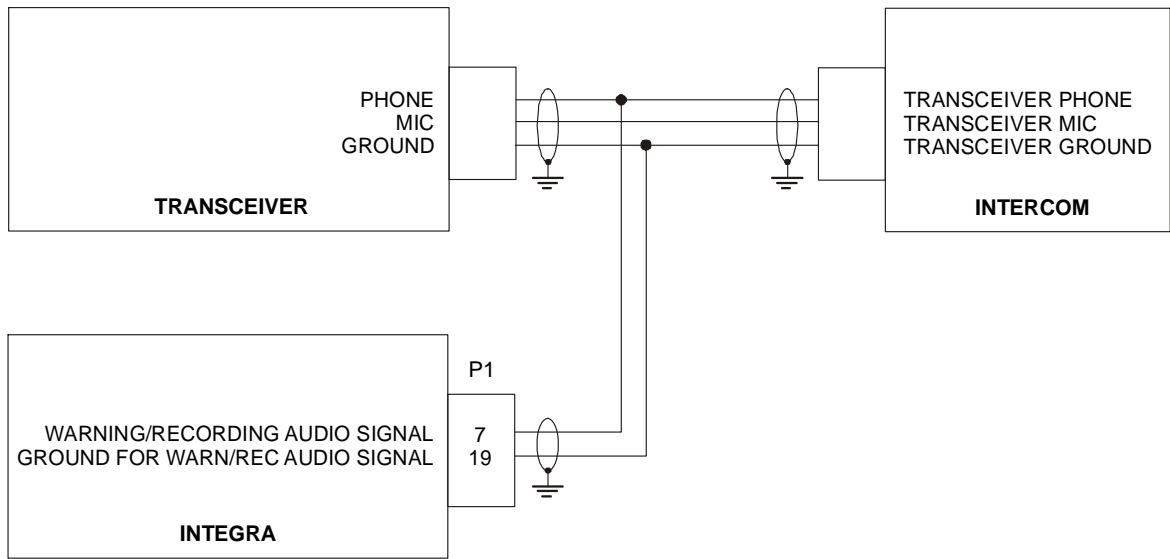
### 6.2.3.2 Possible connection for full configuration



**NOTE 1:** Protection by fuse is recommended as it is shown on picture. The reason is protection against accidental short circuit caused by connector manipulation or failure of cable insulation.

**NOTE 2:** Cables for voltage measurement should be as short as possible. Because of cable voltage drop, this is cause of possible measurement imprecision.

### 6.2.4 Transceiver connection





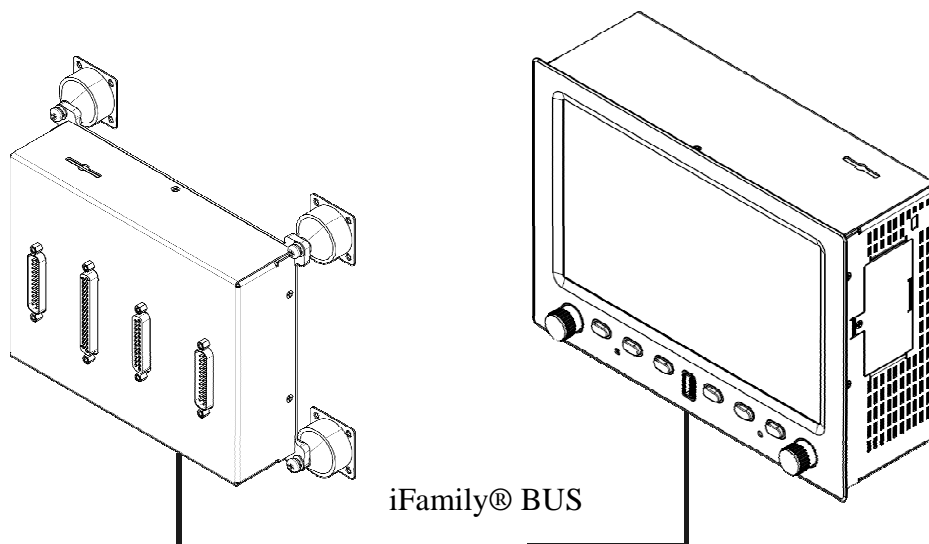
## 7 INTEGRA Data Sharing

New Integra product line TL-6x80 is fully compatible with product lines TL-6x24 and TL-6x60. Practically this means that for example EMS module TL-6780 can be connected to TL-6660 via **iFamily®** BUS. Also HW solution for connection is identical for all tree product lines - the connectors are identical; so for example you can easily replace your TL-6624 with TL-6660 without any modification of harness.

**Here is table describing part numbers for Integra product lines:**

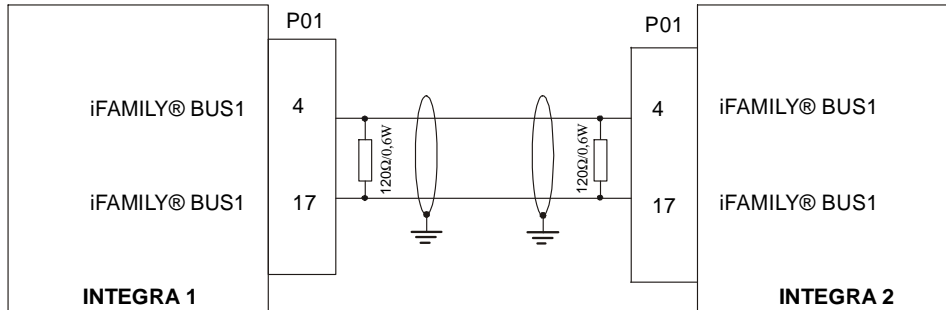
Functionality	Part Number for Integra with 7" display (TL-6x24 product line)	Part Number for Integra with 9" display (TL-6x60 product line)	Part Number for Integra Modules (TL-6x80 product line)
EFIS & EMS	TL-6624	TL-6660	TL-6680
EFIS	TL-6524	TL-6560	TL-6580
EMS	TL-6724	TL-6760	TL-6780
Remote Display	TL-6824	TL-6860	N/A

**Example for iFamily® connection:**



### 7.1 INTEGRA Module Connector Location

It is necessary to terminate the bus at both ends with 120 Ohms. The resistors are there to prevent reflections of communication on the bus.



**⚠ CAUTION:** A twisted pair cable must be used to connect instruments or equipment within the iFamily® CAN BUS system.

**⚠ CAUTION:** Do not interconnect the CAN BUS within one Integra Module.

## 8 Sensor Connection

The Integra Module can be connected only to the approved sensors, see the Integra accessories list on our website.



**CAUTION:**

Other sensors can damage the Integra Module, therefore do not connect them to the Integra Module under any circumstances!



**NOTE:**

Sensors intended for quantities measurement that have resistive output and are connected to the Integra Module cannot be shared with any other analogue or digital instrument to duplicate the displayed value.

## 9 Other Equipment Connection

**⚠ CAUTION:** The Remote Compass and Servo works properly only if connected with EFIS Integra or EFIS&EMS Integra. Do not connect Remote Compass and Servo with TL-6780.

**📌 NOTE:** There could be only one external equipment connected to each port.

### 9.1 CO Guardian

We recommended as CO Guardian type: 452, 452R, 353 or 353R. Following diagrams are just for these types.

Diagram for connection to COM1

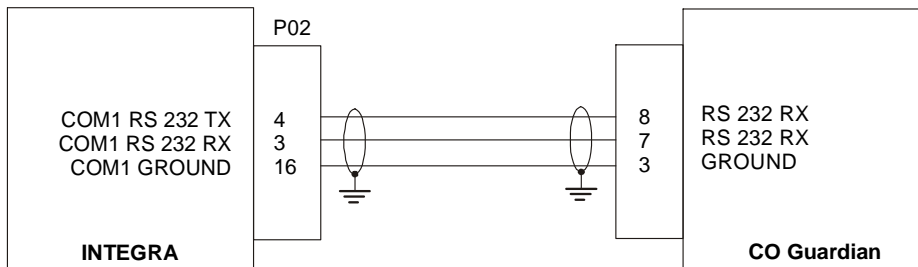
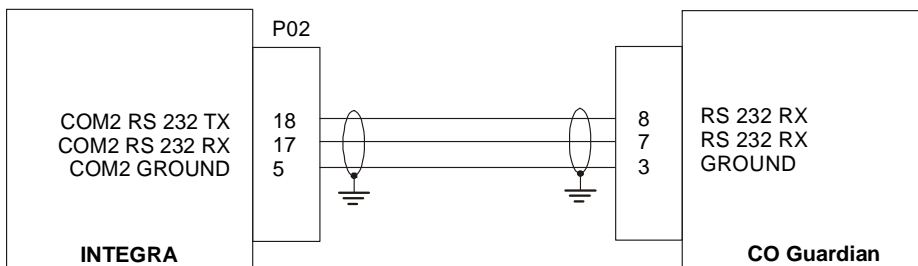


Diagram for connection to COM2



### 9.2 Other compatible equipment

The connection of other compatible equipment to the INTEGRA can be found in each product manual.

## 10 Conclusion

### **INSTRUCTIONS FOR RETURN**

If none of the above sections have helped resolve an ongoing issue with your INTEGRA Module, please call TL electronic at +420 495 48 23 93 to discuss the issue with Technical Support.

In case the issue cannot be resolved, we will provide you with an RMA number to use when shipping the INTEGRA Module to us. If your unit is still under warranty, the repairs will be performed and the INTEGRA Module will be returned promptly. If your warranty has expired, the TL electronic representative will make arrangements with you and make you fully aware of the costs before proceeding with the repair.

While TL electronic makes every effort to save and restore your unit's settings and calibrations, we cannot guarantee that this will happen. Please note that after you receive your unit back from TL electronic with a factory calibration, the heading display on the INTEGRA may be inaccurate once re-installed in your aircraft.